

**Weights**

|                                                           |           |
|-----------------------------------------------------------|-----------|
| Operating weight with standard bucket, excluding operator | 4634 kg   |
| Additional weight for HVAC:                               | 19 kg     |
| Additional weight for steel tracks                        | 131 kg    |
| Additional weight for long dipperstick and counterweight: | 216 kg    |
| Ground pressure with rubber tracks                        | 25.40 kPa |

**Engine**

|                               |                              |
|-------------------------------|------------------------------|
| Make / model                  | Kubota / V2403-M-DI-E3B-BC-5 |
| Fuel                          | Diesel                       |
| Number of cylinders           | 4                            |
| Displacement                  | 2433 cm <sup>3</sup>         |
| Maximum NET power (ISO 9249)  | 30.2 kW                      |
| Maximum NET torque (ISO 9249) | 152.7 Nm                     |

**Performance**

|                                            |          |
|--------------------------------------------|----------|
| Digging force, dipperstick (ISO 6015)      | 25700 N  |
| Digging force, long dipperstick (ISO 6015) | 23700 N  |
| Digging force, bucket (ISO 6015)           | 35800 N  |
| Drawbar pull                               | 40447 N  |
| Travel speed, low range                    | 2.4 km/h |
| Travel speed, high range                   | 4.2 km/h |

**Hydraulic System**

|                      |                                                                       |
|----------------------|-----------------------------------------------------------------------|
| Pump type            | Single outlet variable displacement, load sensing torque limited pump |
| Piston pump capacity | 99.10 L/min                                                           |
| Auxiliary flow       | 75.70 L/min                                                           |
| Auxiliary relief     | 210.0 bar                                                             |

**Slew System**

|                   |         |
|-------------------|---------|
| Boom swing, left  | 75°     |
| Boom swing, right | 50°     |
| Slew rate         | 9.0 RPM |

**Fluid Capacities**

|                                    |         |
|------------------------------------|---------|
| Cooling system                     | 8.30 L  |
| Engine lubrication plus oil filter | 7.10 L  |
| Fuel reservoir                     | 79.90 L |
| Hydraulic system                   | 54.90 L |

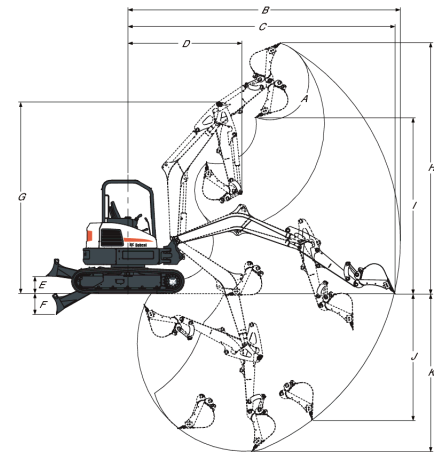
**Environmental**

|                                          |                       |
|------------------------------------------|-----------------------|
| Noise level LpA(EU Directive 2006/42/EC) | 79 dB(A)              |
| Noise level LWA(EU Directive 2000/14/EC) | 95 dB(A)              |
| Whole body vibration (ISO 2631-1)        | 0.12 ms <sup>-2</sup> |
| Hand-arm vibration (ISO 5349-1)          | 0.30 ms <sup>-2</sup> |

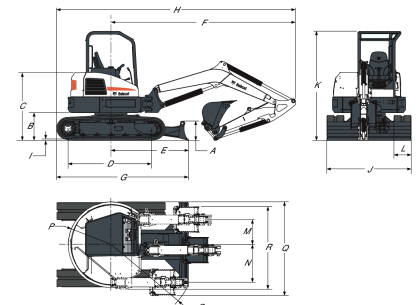
**Standard Features**

|                                          |                                                          |
|------------------------------------------|----------------------------------------------------------|
| 1960 mm dozer blade                      | Engine/hydraulic monitor with shutdown                   |
| 400 mm rubber track                      | Fingertip auxiliary hydraulic control                    |
| Auto idle                                | Horn                                                     |
| Auto shift travel                        | Full fuel warning alarm                                  |
| Auxiliary hydraulics with Quick Couplers | Hydraulic joystick controls                              |
| Selectable auxiliary hydraulic flow      | Retractable seat belt                                    |
| Blade float feature                      | Suspension seat with high back                           |
| Cab light                                | TOPS/ROPS cab with heating <sup>1</sup>                  |
| Clamp ready                              | Two-speed travel                                         |
| Control console locks                    | Work lights (boom and upperstructure)                    |
| Cupholder                                | Warranty: 12 months, 2000 hours (whichever occurs first) |

1. Roll Over Protective Structure (ROPS) – Meets requirements of ISO 3471. Tip Over Protective Structure (TOPS) – Meets requirements of ISO 12117

**Working Range**


|      |           |      |           |
|------|-----------|------|-----------|
| (A)  | 185°      | (G)  | 4095.0 mm |
| (B)  | 5802.0 mm | (H)  | 5345.0 mm |
| (B)  | 6083.0 mm | (H*) | 5527.0 mm |
| (C)  | 5670.0 mm | (I)  | 3697.0 mm |
| (C*) | 5964.0 mm | (I*) | 3879.0 mm |
| (D)  | 2491.0 mm | (J)  | 2531.0 mm |
| (D*) | 2573.0 mm | (J*) | 2820.0 mm |
| (E)  | 384.0 mm  | (K)  | 3300.0 mm |
| (F)  | 465.0 mm  | (K*) | 3600.0 mm |

**Dimensions**


|      |           |      |           |
|------|-----------|------|-----------|
| (A)  | 446.0 mm  | (J)  | 1960.0 mm |
| (B)  | 640.0 mm  | (K)  | 2541.0 mm |
| (C)  | 1575.0 mm | (L)  | 400.0 mm  |
| (D)  | 1998.0 mm | (M)  | 586.0 mm  |
| (E)  | 1797.0 mm | (N)  | 872.0 mm  |
| (F)  | 4092.0 mm | (O)  | 3973.0 mm |
| (G)  | 3058.0 mm | (P)  | 980.0 mm  |
| (H)  | 5353.0 mm | (P*) | 997.0 mm  |
| (H*) | 5379.0 mm | (Q)  | 2074.0 mm |
| (I)  | 25.0 mm   | (R)  | 1874.0 mm |

**Options**

|                                                |                                      |
|------------------------------------------------|--------------------------------------|
| Air conditioning                               | Lifting chain kit                    |
| Long dipperstick                               | Travel motion alarm                  |
| 2nd Auxiliary hydraulics                       | Steel tracks                         |
| Deluxe textile suspension seat                 | Beacon kit                           |
| Boom safety valve with overload warning        | Left and right mirror kit            |
| Boom & arm safety valves with overload warning | Additional work light kit            |
| AM/FM stereo radio                             | Rubber bolt-on pads for steel tracks |
| FOGS kit (Overhead guard)                      | Special applications kit             |